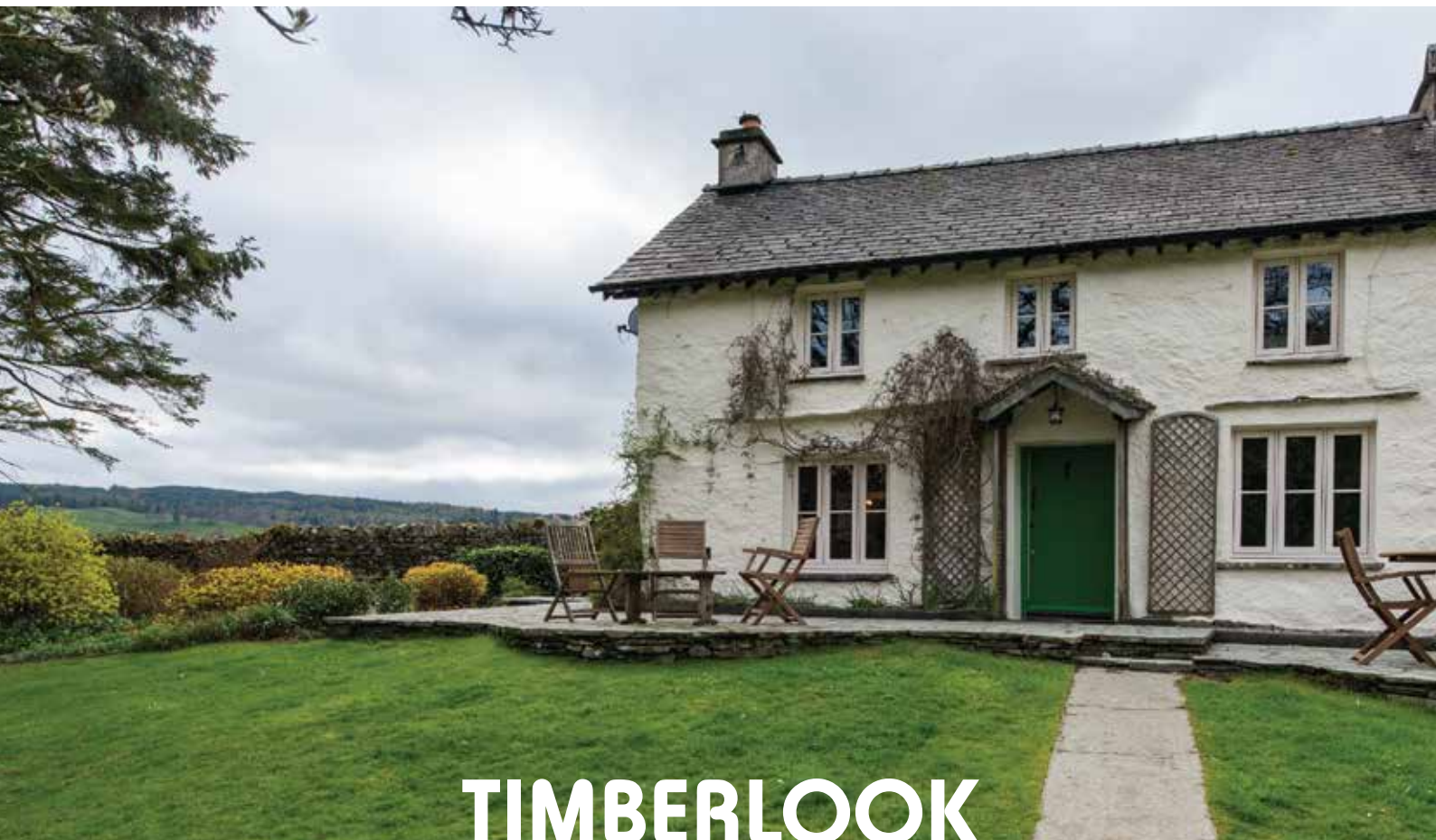


UPVC FLUSH CASEMENT WINDOWS & DOORS

# CROSS SECTIONS, DESIGN DETAILS & SPECIFICATIONS

**NEW!** Slimmer Sash Profile & Slimmer Astragal Bar  
VERSION 4.2 - JULY 2021

A DESIGN GUIDE FOR SPECIFIERS AND CONSERVATION OFFICERS



**TIMBERLOOK**  
FLUSH SASH  
— HERITAGE WINDOWS —

[www.timberlook.com](http://www.timberlook.com)

The Timberlook Design Guide is intended for use by specifiers and conservation officers. It contains cross section drawings and technical information that help designers and buyers to better understand the dimensions and details that create the Heritage Flush Sash Window.



Timberlook windows have been specifically designed with a slimmer sash profile that mimics heritage timber frame sections. It features the traditional chamfer on the outside, with a fully sculptured ovolo detail internally.

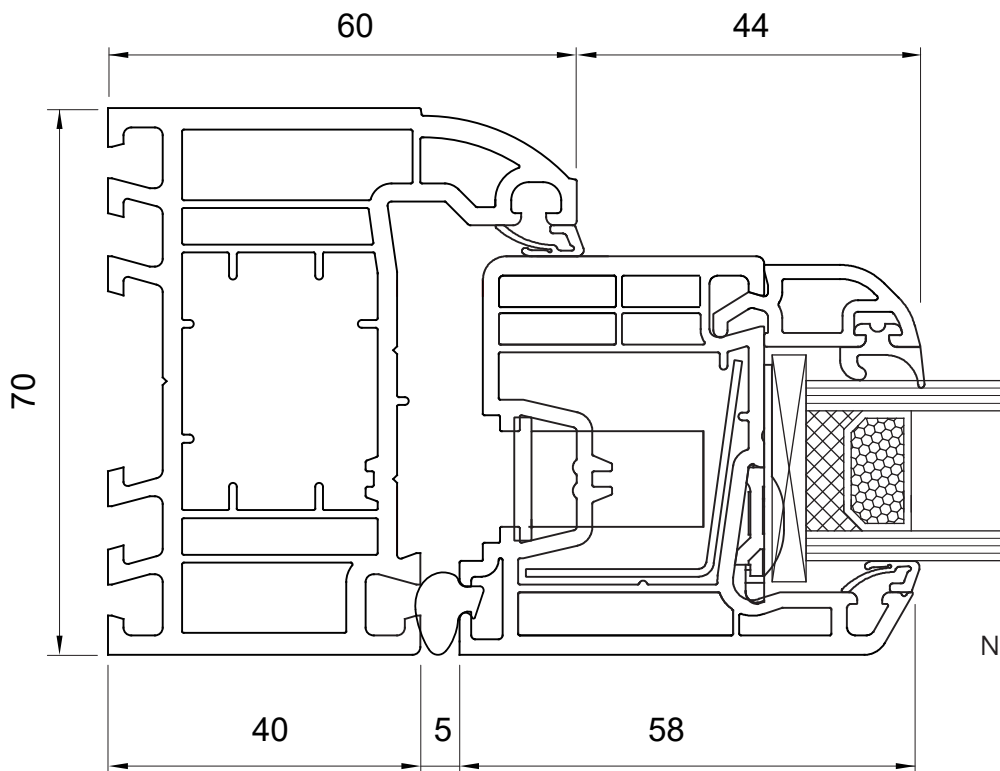
Great care has been taken in choosing authentic ancillary details, including slim external astragal glazing bars, an optional deeper bottom sash rail, and an optional deeper cill design - The Radlington - which copies the style of a timber 'block' cill.

All window frames are mechanically joined, with a 'butt-joint' appearance on the sash, the transom, mullions, and outer frame - This detail finalises the Heritage Flush Sash, creating the authentic look of a traditional timber window frame.



### Opening Sash and Outer Frame

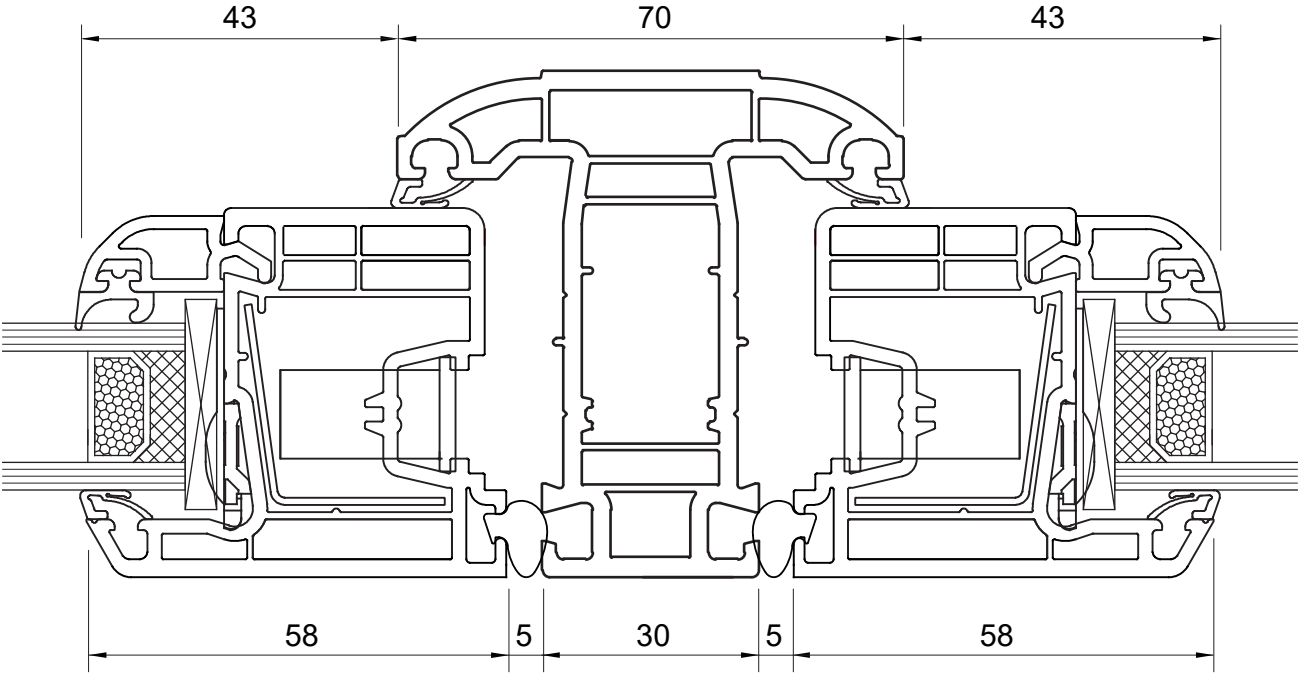
Applies to head, cill and both sides



N.B. Not to Scale

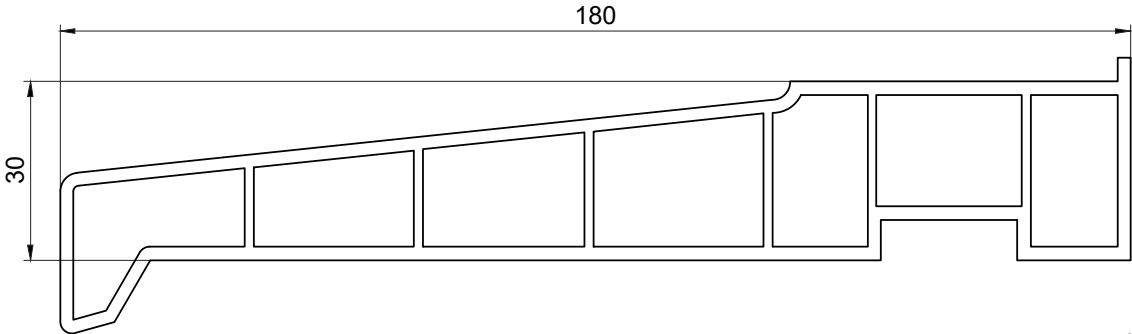
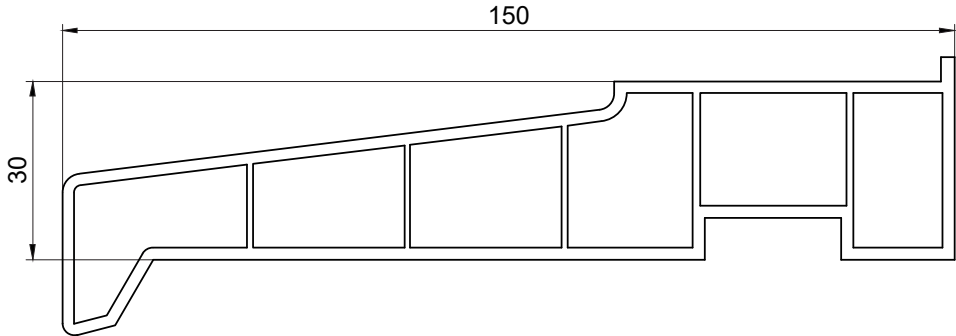
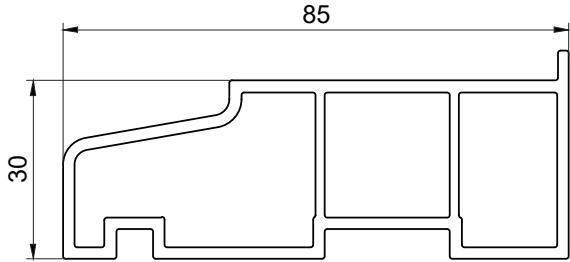


**Transom and Mullion**



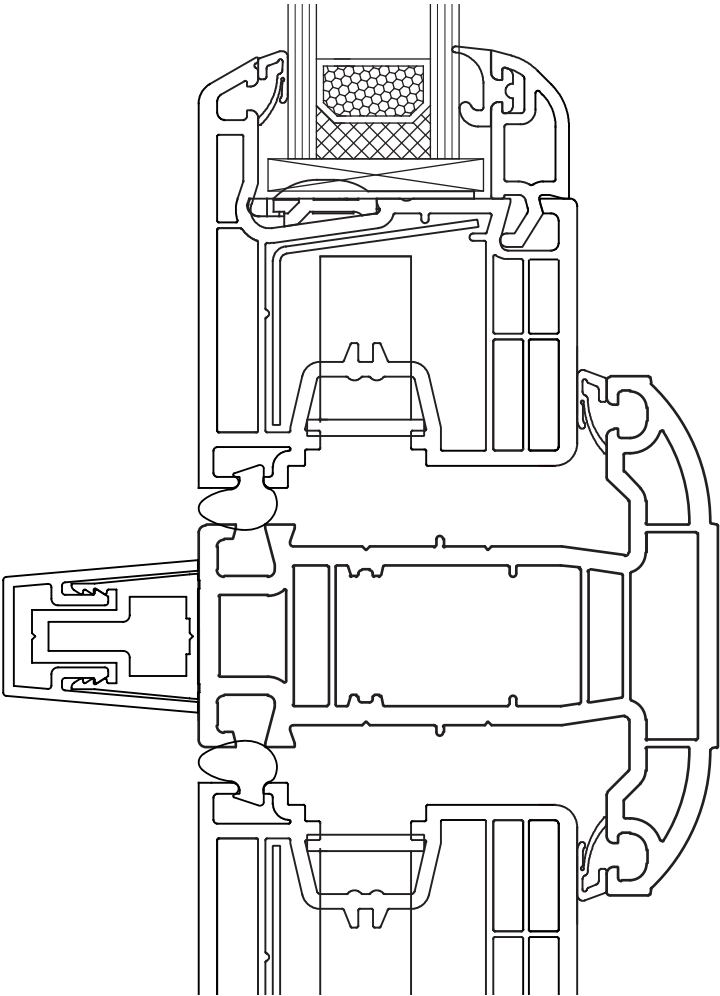
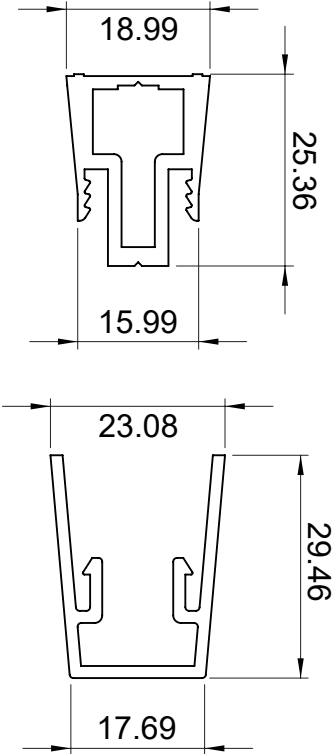
**External Cills**

Stub 85mm, 150mm, or 180mm



N.B. Not to Scale

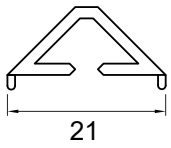
**Transom Weather Bar**



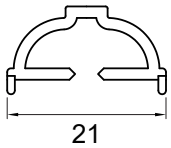
N.B. Drawings not to scale



## Glazing / Astragal Bar Detail



21mm External Glazing Bar  
Chamfered Georgian Style



21mm Internal Glazing Bar  
Matches Internal Frame Detail

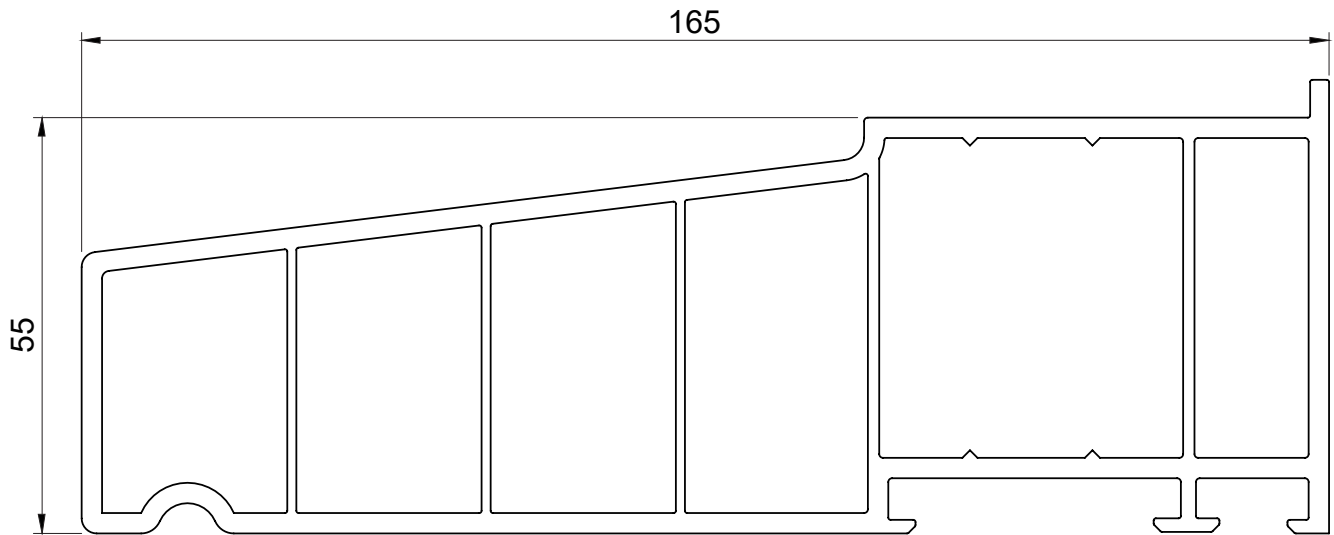




## The Radlington Cill

### Optional Addition

The Radlington Cill is a modern interpretation of the timber cills found on older wooden windows. It is a deeper nosed cill with a height of 55mm and represents a superior aesthetic upgrade over standard cill options. It is an optional extra and The Radlington must be specified when seeking a project estimate.



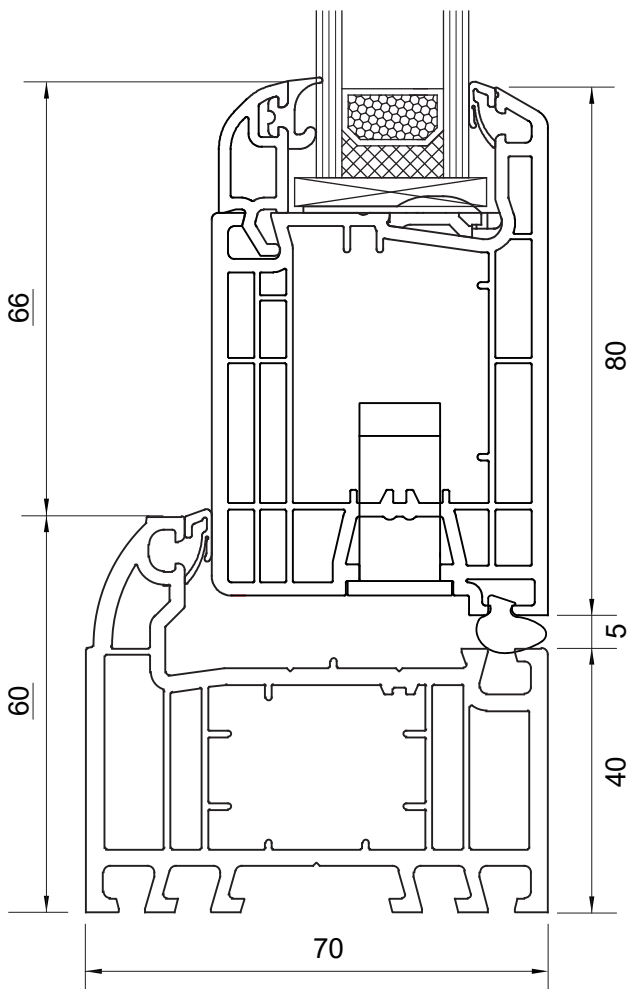
N.B. Not to Scale





## Deep Bottom Rail

Optional Addition



N.B. Not to Scale

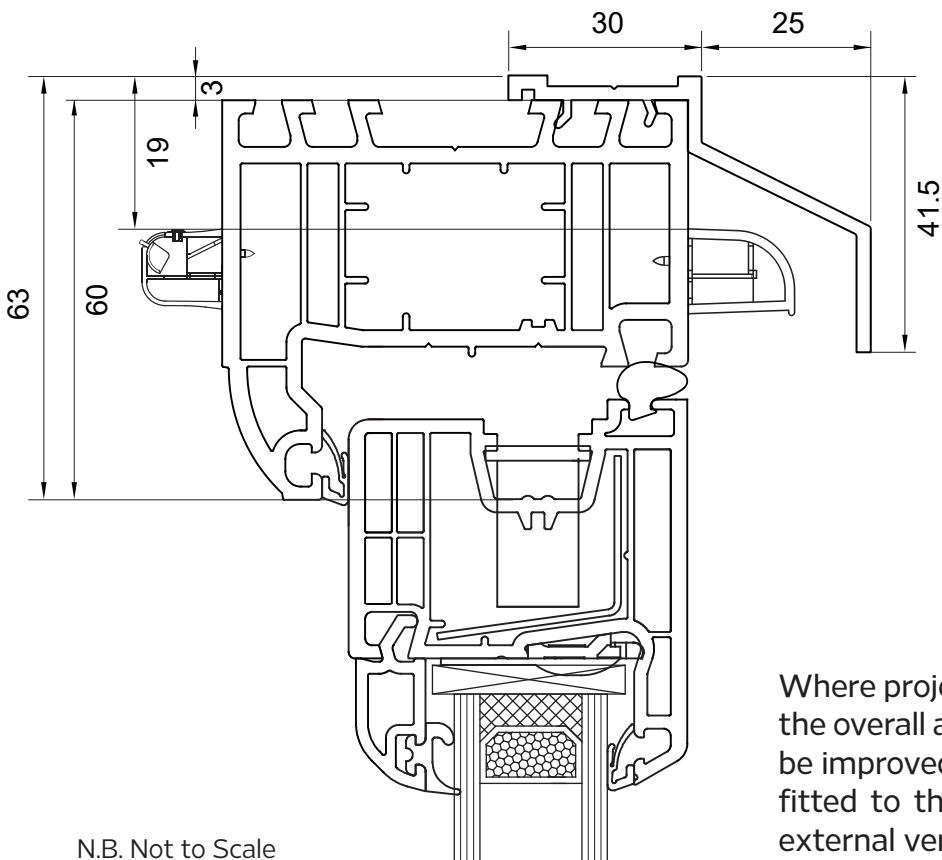






### Concealed Trickle Ventilation

Optional Addition



N.B. Not to Scale

Where projects require trickle ventilation, the overall appearance of the window can be improved with an additional head drip, fitted to the outerframe, to conceal the external vent covers.

## Flush French Doors

Timberlook flush sash doors can help you sympathetically renovate and restore buildings with charm and character. They are also an excellent way to add traditional style to contemporary and new build homes.

The manufacture of the Flush Door differs slightly from that of the window, as we have to use a discreet diagonal weld to provide the extra strength required by larger glass units. Every effort has been made to ensure that this does not detract from the overall style, making Timberlook the ideal solution for your whole project.

Dummy sashes have been designed to match the sightlines of the French Door set, offering a much more traditional option for wide apertures than a bi-folding door. All doors must open out but can be fitted with astragal bars, while taller apertures can feature a fanlight in their design.





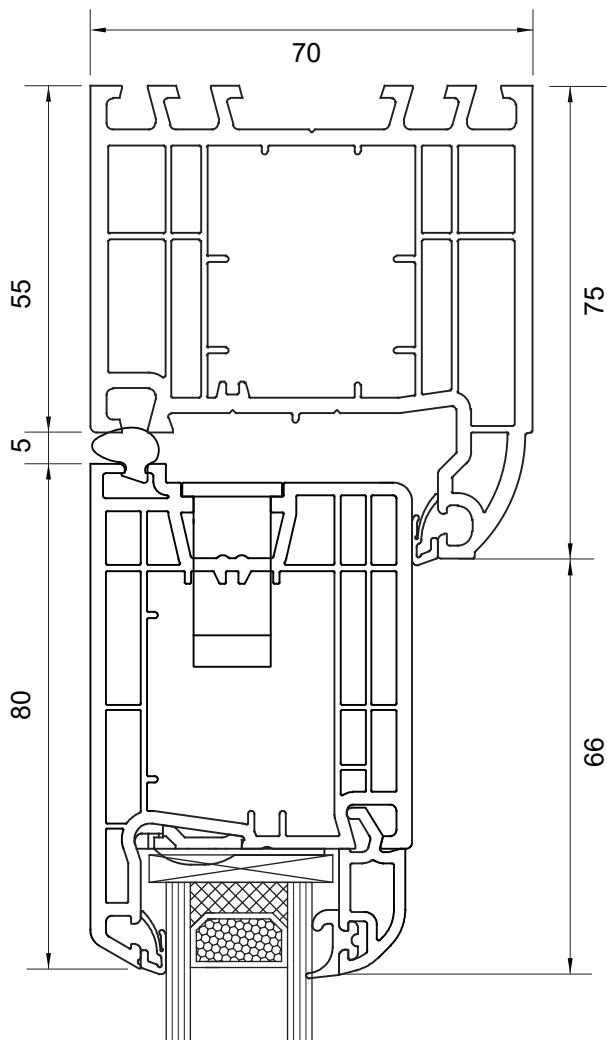
## Single and Flush French Door

### Section Details

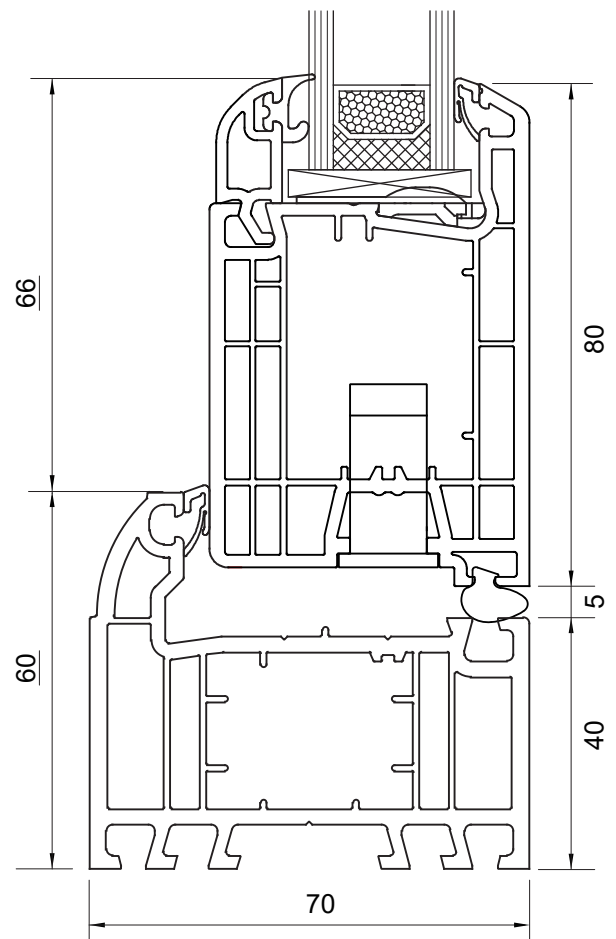
To achieve an even more authentic finish for sets of French doors that feature side panels, we intentionally use a deeper section to both the head and the cill.

The resulting effect is that glass heights are all equal, providing a much more consistent sightline. The overall appearance is the same as traditional doors that are made from timber.

Head & and Side Section Detail

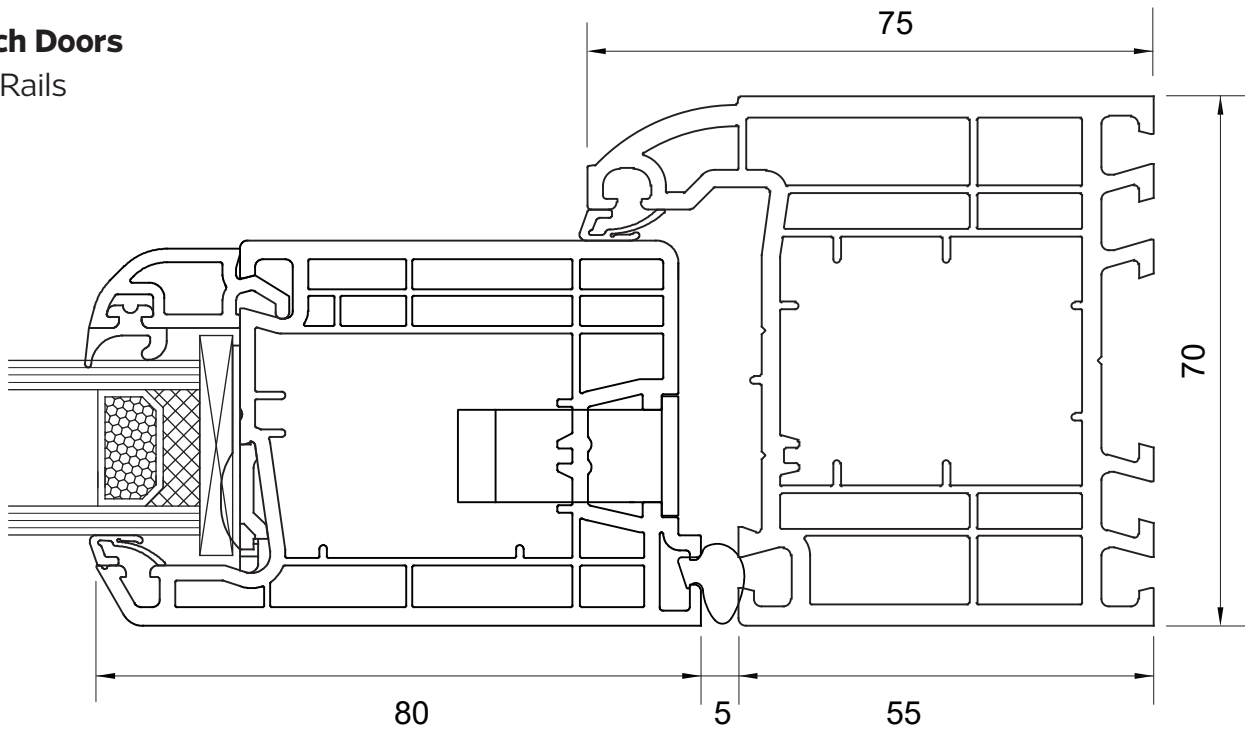


Bottom Section Detail



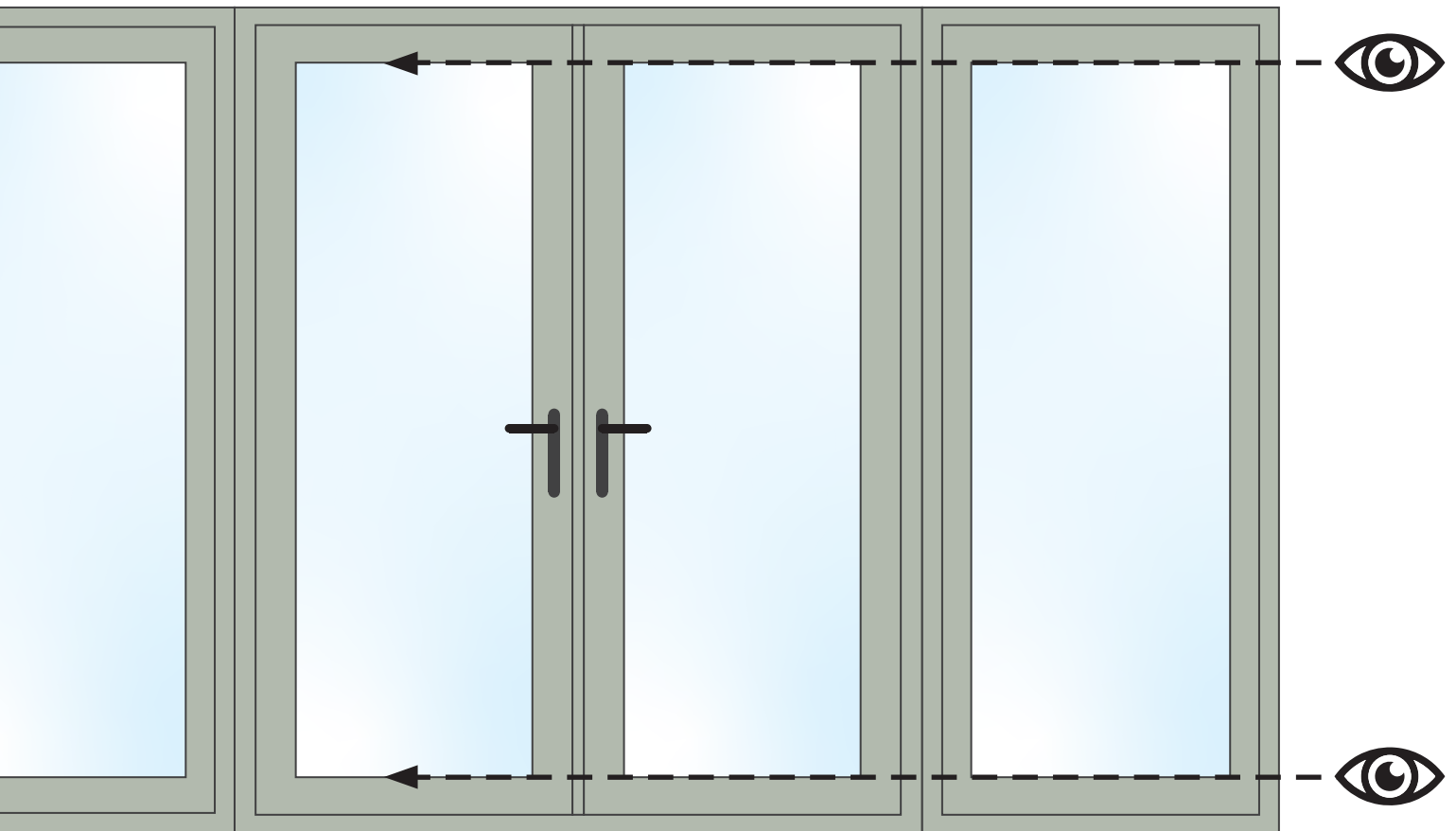
N.B. Not to Scale

**French Doors**  
Side Rails



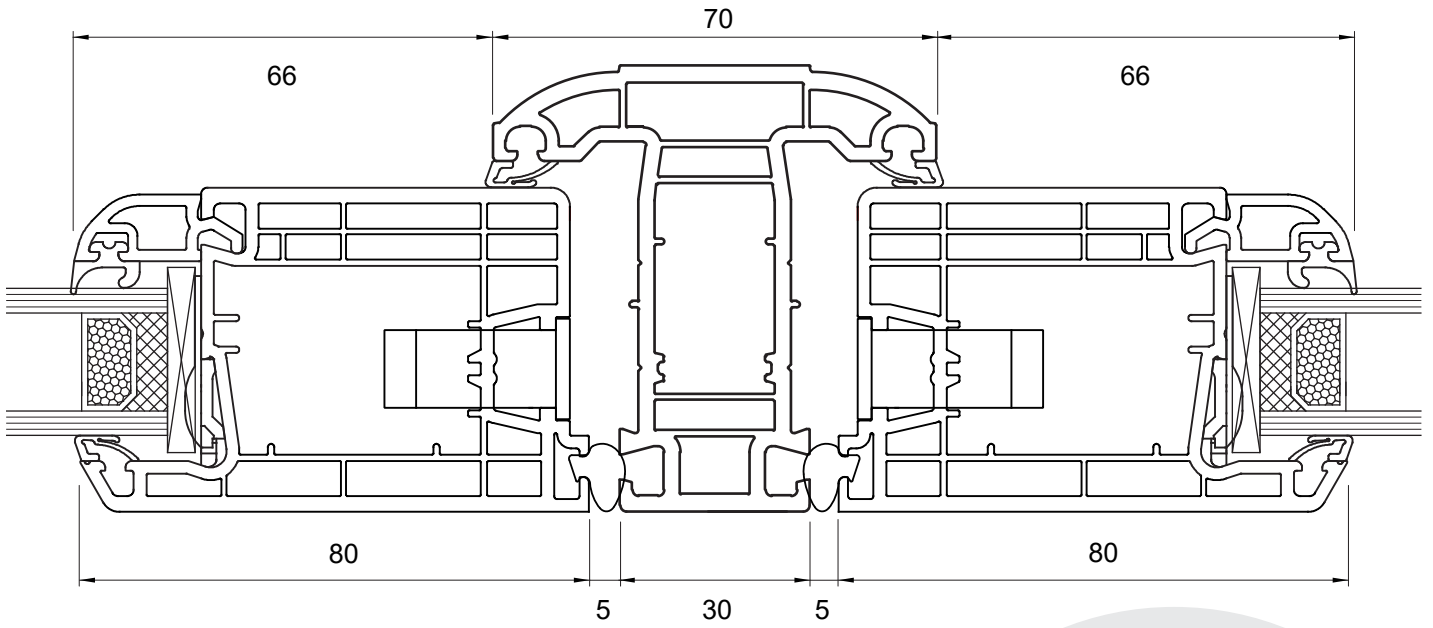
N.B. Not to Scale

**Equal Sightlines**





N.B. Not to Scale



**French Doors**  
Mullion



## Document Q and PAS 24

Timberlook windows can be specified to the latest **Document Q standards** and have also passed independent testing to gain **PAS24 certification**.

<b>BFRC Rating =</b>	
<b>218.6g<sub>window</sub> - 68.5 x (U<sub>window</sub> + Effective L<sub>50</sub>) =</b>	<b>1.79</b>
<b>Climate zone is:</b>	<b>UK</b>

<b>Thermal transmittance, W/(m<sup>2</sup>·K)</b>	<b>U<sub>window</sub></b>	<b>1.4</b>
<b>Solar factor</b>	<b>g<sub>window</sub></b>	<b>0.45</b>
<b>Window air leakage heat loss, W/(m<sup>2</sup>·K)</b>	<b>L<sub>factor</sub></b>	<b>0.01</b>

Upgraded glass and hardware must be specified when ordering.

BFRC Rating kWh/(m <sup>2</sup> ·yr)	Label index	EWER Rating Scale	Window Rating
≥10	<b>2</b>	<b>A+</b>	<b>A</b>
0 to <10 ⇐		⇐ <b>A</b> ⇐	
-10 to <0		<b>B</b>	
-20 to <-10		<b>C</b>	
-30 to <-20		<b>D</b>	
-50 to <-30		<b>E</b>	
-70 to <-50		<b>F</b>	

## Colours & Finishes

Available on one or both sides, Timberlook offer a range of colours & textured woodgrain foils. The lead time for manufacture varies between colours:

COLOUR INSIDE	White	Polar White	Black Foil	Irish Oak	Anthracite Foil	Anthracite (Smooth)	Chartwell Green	Cream Foil	Rosewood	Painswick	Golden Oak	
		S	E	S	E	S	S	E	S	S	S	S
	n/a	S	E	E	E	E	E	E	S	E		Polar White
	n/a	n/a	E	n/a	n/a	n/a	n/a	n/a	n/a	n/a	n/a	Black Foil
	n/a	n/a	n/a	E	n/a	n/a	n/a	n/a	n/a	n/a	n/a	Irish Oak
	n/a	n/a	n/a	n/a	E	n/a	n/a	n/a	n/a	n/a	n/a	Anthracite Foil
	n/a	n/a	n/a	n/a	n/a	E	n/a	n/a	n/a	n/a	n/a	Anthracite (Smooth)
	n/a	n/a	n/a	n/a	n/a	n/a	E	n/a	n/a	n/a	n/a	Chartwell Green
	n/a	n/a	n/a	n/a	n/a	n/a	n/a	S	n/a	n/a	n/a	Cream Foil
	n/a	n/a	n/a	n/a	n/a	n/a	n/a	n/a	S	n/a	n/a	Rosewood
	n/a	n/a	n/a	n/a	n/a	n/a	n/a	n/a	n/a	E	n/a	Painswick
	n/a	n/a	n/a	n/a	n/a	n/a	n/a	n/a	n/a	n/a	S	Golden Oak

COLOUR OUTSIDE

S - STANDARD LEAD TIME      E - EXTENDED LEAD TIME







## Hardware & Accessories

### Standard Handles

Timberlook windows and doors are supplied with modern handles as standard - they are available in a selection of common finishes:



Chrome



White



Gold



Satin Silver



Satin Gold

### Premium Regency Handles

- Optional Addition

We also offer a range of traditional hardware to enhance the heritage aesthetic of Timberlook Windows. The Premium Regency handles feature timeless designs that perfectly complement the the Heritage Flush Sash system, providing all the benefits you would expect from modern hardware - practical, secure, and easy of use.



Premium Regency  
Monkey-Tail Handle



Premium Regency  
Teardrop Handle



Premium Regency  
Dummy Stay





# TIMBERLOOK FLUSH SASH

Timberlook Flush Sash Windows and Doors are an ideal choice for anybody undertaking renovation or conservation projects, new build homes, or simply replacing windows.

Our flush sash window system replicates traditional wooden windows in modern uPVC and features an authentic looking 'butt joint' mortise and tenon joining system. It was developed for period, character, and historic projects, but is a suitable alternative for modern and new build developments in conservation areas too.

Our energy-efficient and maintenance-free flush casement windows are designed for modern living. Timberlook can be specified to Document Q, and is certified to PAS24 with uprated glass and hardware. Installations are made faster, easier, and safer than with other flush systems - it has a 70mm frame depth and glass units are supplied separately.

[www.timberlook.com](http://www.timberlook.com)