



TIMBERLOOK FLUSH SASH

— HERITAGE WINDOW —

www.timberlook.com

Pictured: Flush Casements in Painswick (RAL 7038)



Whether you are undertaking a conservation scheme, new build home, or renovation, the Timberlook Heritage Flush Sash Window System is an ideal choice for any project.

Timberlook is a PVCu window system that successfully replicates traditional and heritage designs, making it ideal for historic and conservation projects. Our flush sash windows are also suitable for modern living, as they are energy-efficient and virtually maintenance free.



2 WELCOME

4 TRADITION *and Heritage*

6 TECHNOLOGY *behind Timberlook*

8 THE BEST *of both worlds*

12 CILLS *The Radlington*

14 FLUSH DOOR *a new system*

16 CONSERVATION *& Planning*

20 NEW BUILD *Projects*

22 COLOURS *the Timberlook Collection*

24 FINISHING *Touches*

26 COMPLETING *the Look*

TRADITION

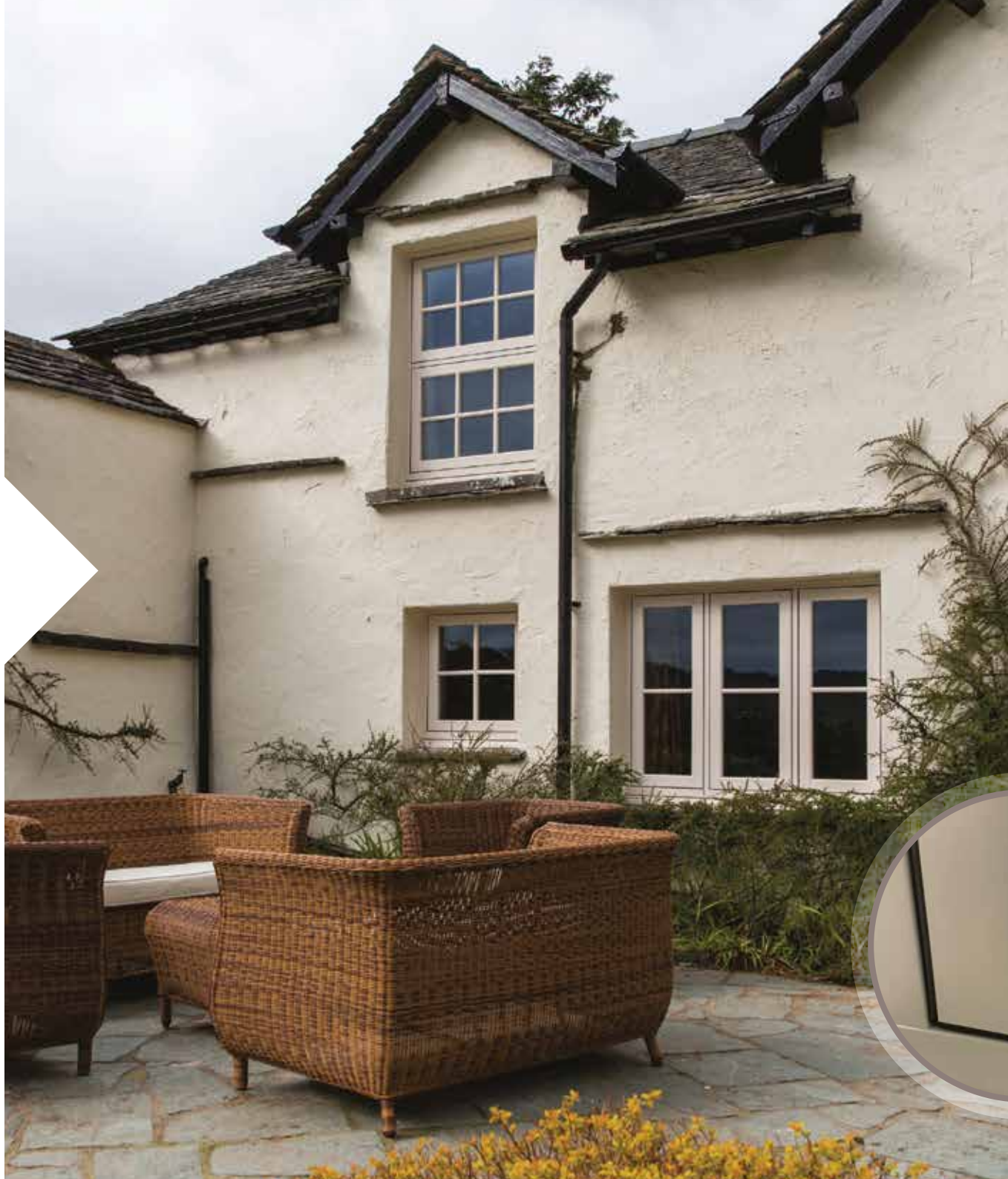
Combined with Modern Technology

Technology and materials have been moving forward and developing at a fast pace, creating more energy-efficient windows, with greater longevity, higher security, and better recyclability. We feel that taking an occasional look back can have merits too. It enables us to preserve the look and feel of our architectural heritage, and to make the most of those designs and aesthetics that were perfected long ago.

Our Timberlook PVCu Flush Sash windows are virtually indistinguishable from timber yet have significant advantages. They are undoubtedly more affordable than real wood, and can have a significant impact on the the comfort and appearance of any property. Advances in materials and the manufacturing process also mean that our windows and doors insulation performance is better than ever, while being easy to maintain.



Timberlook Flush Sash in Cream Foil
with Premium Heritage Furniture



As beautiful as real timber is, it can swell and shrink, or can warp and twist, depending on the weather. Wooden window frames are expensive to buy, and need ongoing care and attention. The cost and time taken to preserve their appearance soon adds up. Timberlook Heritage Flush Sash Windows simply do not need that sort of maintenance.

The flush exterior finish, with square mortise & tenon looks, mimics heritage casement designs. Timberlook boasts a refined internal decoration that perfectly marries modern technology with traditional looks.

Timberlook is an ideal choice for any home or building, with a wide selection of period colours & wood-effect finishes. These colours also include a Smooth Grey colour, Anthracite 7016, that matches the most popular aluminium bi-fold door colour.





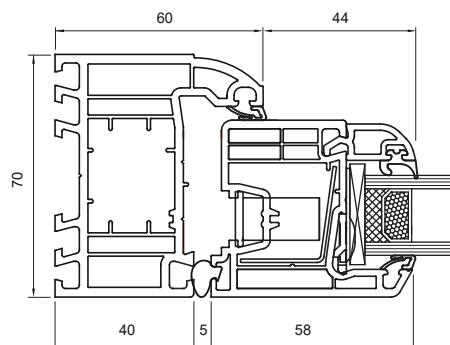
TECHNOLOGY

Timberlook is a the new PVCu Flush Sash Window System that boasts a square mortise & tenon looking fabrication for both the sash and the outerframe. This replaces the tell-tale mitred joints that would normally identify a window as being fabricated from PVCu.

Additionally, the Timberlook Flush Sash has a 70mm back to front frame size to make your installation fast, a slim 60mm sash to replicate a timber sash, and a night latch as standard.

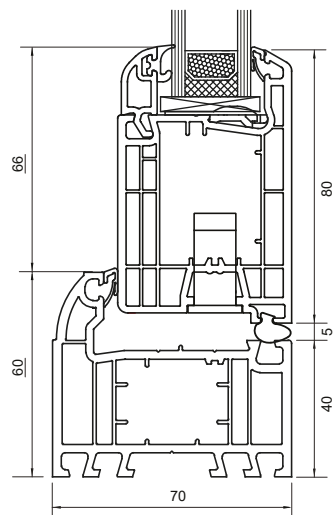
It is possible to further recreate original and heritage styles with our 'Cottage Bar' or *astragal bar*. The glazing bars, which measure 22mm, are mounted onto the surface of the glass to maintain the thermal efficiency of the glazing unit - while also preserving the traditional look of the window.

Opening Sash & Outer Frame



N.B. Not to Scale

Deep Bottom Rail (Optional)



N.B. Not to Scale



Timberlook Concealed Trickle Ventilation

With features such as an *optional deep bottom rail* and *concealed external trickle ventilation*, the **Timberlook Flush Sash** is virtually identical to the most expensive flush timber windows.

Trickle Ventilation & Dual Setting Night Vent

When trickle ventilation is required, it is usually rather unsightly externally. We don't believe in spoiling the appearance of your window or property - if your project includes trickle ventilation, extended cover vents can be concealed by a head drip on the Timberlook outerframe.

Timberlook windows are supplied with high performance security systems and, unique to the Timberlook Flush Sash Window, a dual setting for night ventilation.

The espaganolette and striker provide an effective, secure locking system with a smooth closing action. It features enhanced security that meets PAS24:2016 with ease and is perfect for flush fitting windows.





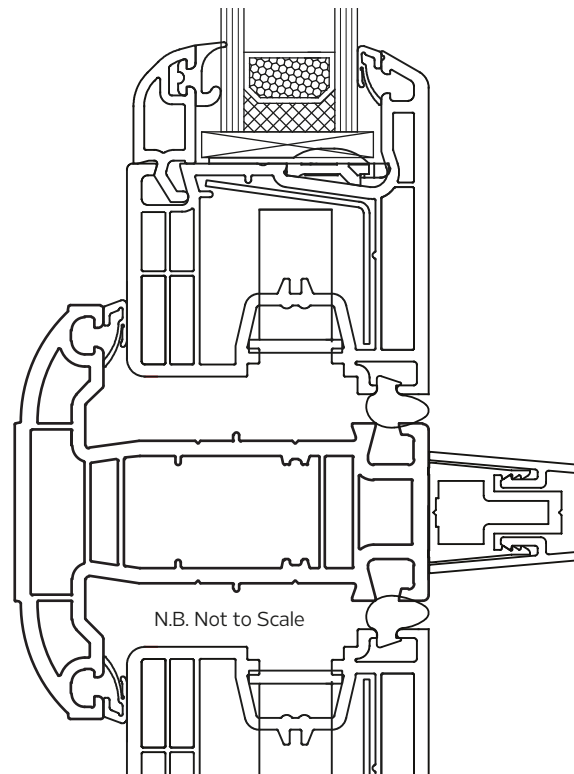
THE BEST OF BOTH WORLDS

Timberlook Flush Sash Windows have the perfect combination of a traditional appearance and aesthetics, but with modern technologies and materials - offering you the best of both worlds.

Beautiful, accurately recreated, timber effect windows and doors with all the benefits of the most up-to date uPVC products. Put simply, we re-designed the wooden window for the 21st century.

Timberlook Flush Sash Windows are made in Great Britain by one of the largest fabricators of PVCu & Aluminium window and door systems. Our designers and manufacturing experts draw on many years of combined knowledge and experience to develop innovative solutions like the Timberlook system - maintaining respect for the architecture of the past while preparing buildings to last well into the future.

Flush casements can be found in buildings from all periods, owing to their refined simplicity. The understated and minimal appearance fits perfectly in contemporary properties too. It is now possible to get the character look you want from a thermally efficient and secure window - *tradition working with technology.*



Transom Weather Bar

An optional decorative **transom weather bar** can be fitted externally to our flush casement windows, replicating a particular type of traditional wooden window that can be found with this feature.





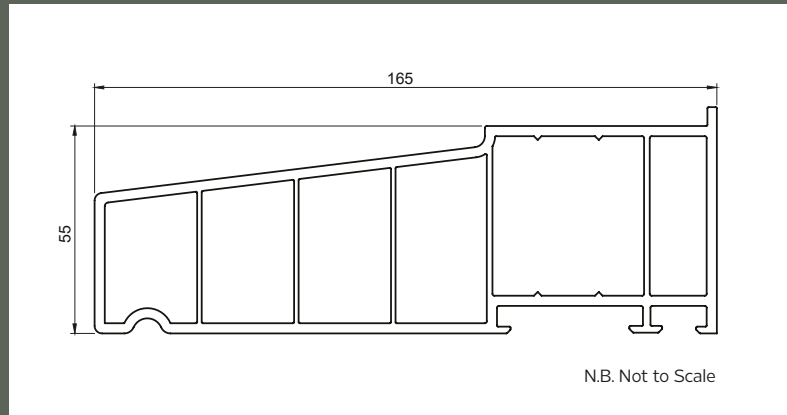




Timberlook Flush Sash windows look beautiful with the contemporary shallow cill that comes as standard, but we feel, however, that The Radlington Cill is one accessory that you simply must consider adding.

The Radlington Cill is a deeper nosed cill at a height of 55mm - it is a modern interpretation of the sort of timber cill found on older traditional timber windows and is a superior upgrade to the standard cill available. Choosing to add the Radlington Cill will make your windows really stand out.

The Radlington Cill (optional addition)



Old imperial bricks varied in height, while modern metric bricks measure 65mm, and old timber cills were deep and often aligned with a course of bricks. The Radlington Cill, at 55mm, is a modern interpretation that allows for packing expansion, bay pole jacks, and irregular mortar.

When replacing traditional timber windows, installation becomes easier and the result more authentic in appearance. The Radlington Cill helps to further recreate that traditional and character look in contemporary and new build properties.



TIMBERLOOK FLUSH DOOR

The only door system to perfectly complement the Timberlook Heritage Flush Sash Window.

Timberlook flush sash doors can help you sympathetically renovate and restore buildings with charm and character. They are also an excellent way to add traditional style to contemporary and new build homes.

The manufacture of the Flush Door differs slightly from that of the window, as we have to use a discreet diagonal weld to provide the extra strength required by larger glass units. Every effort has been made to ensure that this does not detract from the overall style, making Timberlook the ideal solution for your whole project.

Dummy sashes have been designed to match the sightlines of the French Door set, offering a much more traditional option for wide apertures than a bi-folding door. All doors must open out but can be fitted with astragal bars, while taller apertures can feature a fanlight in their design.





To achieve the most authentic finish for French doors that feature side panels, we intentionally use a deeper section to both the head and the cill. The resulting effect is that glass heights are all equal, providing a much more consistent sightline. Overall, they have the same appearance as traditional timber doors.

Flush Sash French Doors are available in the same range of colours as our windows, with furniture matching furniture and hardware in both Standard *and* Premium Regency collections. These flush, open-out Timberlook doors are fitted with discreet hinges, maintaining the heritage aesthetic.



CONSERVATION & PLANNING

Accepted as a variation on Condition 11, they are considered to successfully mimic traditional flush casements, and care has been taken over details such as the cill and trickle ventilation...

Heritage Officer, Cotswold Council

When designing the Timberlook glazing system, we were careful to consider all aspects of Article 4 Conservation Area Guidelines for windows. We have combined those design principles with the latest technology and the most convenient and cost-effective materials to create modern, thermally efficient, and secure products that, most importantly, preserve the traditional look of your property and home.

Timberlook Flush Sash Windows can meet local authority conditions for use in conservation areas and listed buildings. They were recently accepted for use for a substantial home-building project in the heart of The Cotswolds. The local planning authority were satisfied that the appearance was authentic enough for use and commented:





What is Article 4?

Article 4 directions are made by a local planning authority. They restrict normal permitted development rights and mean that a planning application would be needed for any development work. The use of modern materials could sometimes be restricted, including window systems, if they are not appropriate. The local authority will consider their shape, size, and overall aesthetic.

Timberlook has been specifically designed to mimic traditional and historic window designs while using a modern materials and modern materials should be accepted, provided that the window is designed with dimensions, detailing and opening mechanisms that are similar to the original windows - this is the essence of Timberlook.

Planning Permission should always be obtained from the Local Planning Authority before commencing any works.



What are Listed Buildings?

A listed building has been simply determined to have architectural or historic interest, and that status brings it under the consideration of local authority planning systems. It's designed to protect any special features for the future. A listed building can still be developed and renovated - special consent must be applied for if any changes to that building might affect its special interest.

It can be more difficult for you to replace windows in a listed building. Listed building consent is required from your Local Authority.

Under government planning guidance, listed buildings can be altered, extended and sometimes even demolished. The local authority uses listed building consent to make decisions that balance historic significance against issues like function and building condition.





NEW BUILD PROJECTS

When specifying windows for any new build property, it is important to remember that they will need to conform with the latest stringent building regulations. This is applicable whether you are a designing a single home or a building an entire housing development.

Timberlook windows can be specified to the new Document Q standard, having passed independent testing. Both the glass and the hardware that we use are uprated, and the windows are certified to PAS24 to satisfy the building inspectorate.

These are separate standards and should be specified when discussing your project with your local installer.



A newly-built family home in Lancashire incorporating a suite of Timberlook products



Timberlook was accepted by planners for a new development in The Cotswolds



TIMBERLOOK COLOURS

The Timberlook range of colours and finishes have been carefully selected to complement buildings of any age. There is something to suit any project, no matter the type of stone, brick, or mortar. Our selection of woodgrain effects includes oak and rosewood.

There are grey finishes for more modern homes, including the anthracite foil that works well with modern aluminium windows and doors. Chartwell Green has always been a popular choice, but one of our favourites is the grey-green Painswick colour. *We can also accommodate dual-colour options, to help match with existing decor.*



Timberlook windows are available in a range of standard colours and woodgrain foils but can be ordered with colour combinations inside and out.

When ordering differing colour combinations, the lead times quoted for standard colours can change. This matrix shows how colour combinations might affect manufacturing timescales and your delivery.

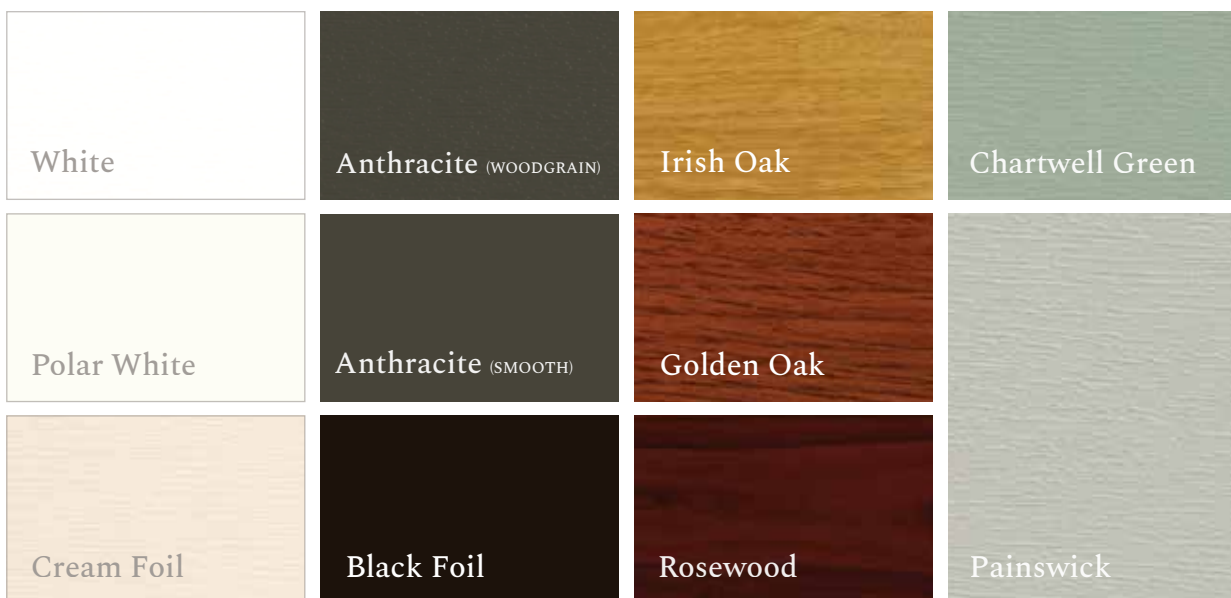
For the most accurate delivery estimates, consult your local specialist Timberlook Heritage supplier.

	White	Polar White	Black Foil	Irish Oak	Anthracite Foil	Anthracite (Smooth)	Chartwell Green	Cream Foil	Rosewood	Painswick	Golden Oak
White	S	E	S	E	S	S	E	S	S	S	S
Polar White	n/a	S	E	E	E	E	E	E	E	S	E
Black Foil	n/a	n/a	E	n/a	n/a	n/a	n/a	n/a	n/a	n/a	n/a
Irish Oak	n/a	n/a	n/a	E	n/a	n/a	n/a	n/a	n/a	n/a	n/a
Anthracite Foil	n/a	n/a	n/a	n/a	E	n/a	n/a	n/a	n/a	n/a	n/a
Anthracite (Smooth)	n/a	n/a	n/a	n/a	n/a	E	n/a	n/a	n/a	n/a	n/a
Chartwell Green	n/a	n/a	n/a	n/a	n/a	n/a	E	n/a	n/a	n/a	n/a
Cream Foil	n/a	n/a	n/a	n/a	n/a	n/a	n/a	S	n/a	n/a	n/a
Rosewood	n/a	n/a	n/a	n/a	n/a	n/a	n/a	n/a	S	n/a	n/a
Painswick	n/a	n/a	n/a	n/a	n/a	n/a	n/a	n/a	n/a	E	n/a
Golden Oak	n/a	n/a	n/a	n/a	n/a	n/a	n/a	n/a	n/a	n/a	S

S - STANDARD LEAD TIME E - EXTENDED

COLOUR OUTSIDE

COLOUR INSIDE



FINISHING TOUCHES

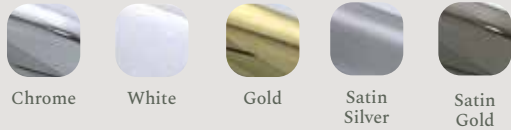
The Timberlook range of Heritage Flush Sash windows and doors are fitted with contemporary hardware as standard, but their look can be enhanced with pieces from our collection of traditional ironmongery.

Premium Regency handles feature timeless designs that perfectly complement the Timberlook Heritage Flush Sash system, and they provide all the benefits you would expect from modern hardware and furniture - with unrivalled levels of strength, high-security, and ease of use.



Standard Handles

Contemporary handles are supplied as standard, with a selection of finishes (*below*) to choose from when placing your order:



Chrome

White

Gold

Satin Silver

Satin Gold

Premium Regency

We also offer an additional range of premium options to choose from, including traditional handmade ironmongery. These optional extras are available for both windows and doors.

Teardrop

Antique Black, Chrome, Satin Silver, Gold

Monkey Tail

Antique Black, Chrome, Satin Silver, Gold

Dummy Stays

Antique Black, Chrome, Satin Silver, Gold



a

b

a. Premium Regency
Monkey-Tail Handle

b. Premium Regency
Teardrop Handle

c. Premium Regency
Dummy Stay



c

Standard Handles

Premium Regency



COMPLETING THE LOOK

There is more to a successful renovation or building project than choosing the right windows. As specialist manufacturers of both Aluminium and uPVC systems, we have a wide range of products that can be perfectly combined for your project.

Choose from sliding or bifolding aluminium doors to really open up a space and bring the outside in. The strength to weight ratio of aluminium allows us to accommodate large glass units, with fewer and slimmer sightlines, flooding your rooms with light and increasing the sense of space.

Our aluminium rooflights and lantern systems can add to this effect, with minimal sightlines and unobstructed sky views.

Composite doors are an ideal solution for entrances, with styles and colours that maintain the integrity, look, and feel of the Timberlook Flush Sash and your heritage project. By matching colours and finishes across our product ranges, we can ensure that your designs and projects have the look and aesthetic you desire, with consistency and style.

Speak to your local specialist supplier to learn more.





Combine the **Timberlook Flush Sash** with the slim sightlines of aluminium sliding doors



Timberlook is a uPVC window system that successfully replicates traditional wooden windows, with the authentic appearance of a mortise and tenon joint. It is ideal for period, character, or historic projects, and has been accepted as a timber alternative for renovations and new-build developments in conservation areas by local planning authorities.

Our energy-efficient and maintenance-free Flush Casement Windows are just as suitable for modern living, with a minimal and understated look that works well in contemporary and new-build properties. Timberlook can be specified to Document Q, and is certified to PAS24 with upgraded glass and hardware. There are no tell-tale diagonal welds and joints that would normally identify a window as being fabricated from PVCu. With a 70mm frame depth and glass units that are supplied separately, installations are faster, easier, and safer than other flush systems.

TIMBERLOOK FLUSH SASH — HERITAGE WINDOWS —



YOUR LOCAL SPECIALIST SUPPLIER IS:

Apollo Trade Window Store Oxford

www.a-windows.co.uk

sales@a-windows.co.uk

01865 777736

**Units 1&2, 17 Pony Road,
Horspath Industrial Estate,
Cowley,
Oxford
OX4 2RD**

DISCLAIMER: From time to time, the dimensions, hardware and designs of our products can change due to continuous product development. Accordingly, photographs, drawings, and product dimensions may not always be accurately represented on our website or in brochure material. In addition, material colours on our website and brochures are representations only. Printing and digital screens only show approximations. Customers should choose colours from actual samples. Before purchasing any product you should check with your installer as to the current design, dimension and exact colour of any product. Contact your installer if you have any other questions.