

Freefoam Cladding Instructions

Instructions

If insulation is not being installed skip Steps 1 and 2.

Important : Read through all of the instructions before commencing with the installation and refer to the checklist below during installation.

Installation Checklist	✓
Correct Screws Used	
Screws do not puncture the cladding skin	
Sufficient Expansion Gaps Allowed	
Correct Batten Size Used	
Battens Fixed at Correct Centres (40cm)	
Cladding Screw Fixed at Every Batten	
Ventilation Profile Installed at Top and Bottom	

Maintenance:

Freefoam cladding requires very little maintenance. High Pressure cleaning is possible (half power). Do not use solvents or aggressive cleaning products.

Storage:

Prior to installation cladding should be stored out of direct sunlight.

Check the cladding surface for damage prior to installation.

Complaints of surface defects will not be accepted after installation is complete.

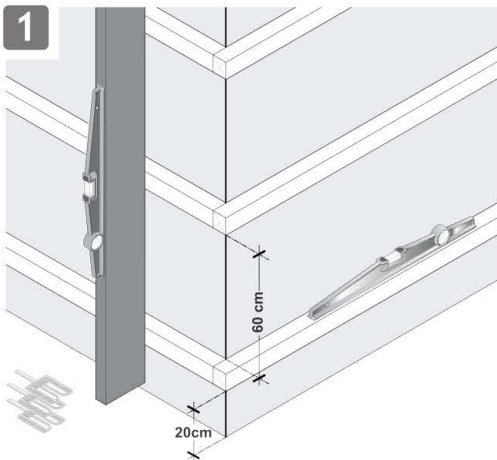
Installation instructions

Only use corrosion resistant screws for fixing cladding planks and accessories. The recommended minimum expansion gaps at ends and between cladding planks (See Diagram 11, 12, 13 & 14) should be strictly adhered to. A minimum of 27mm ventilation space should be allowed between the cladding and the breather membrane, insulation or wall.

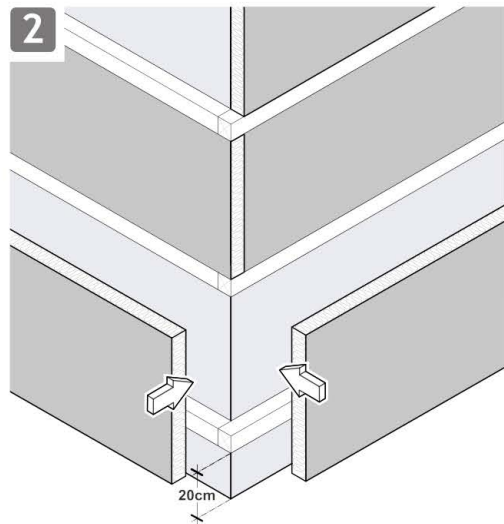
Ensure that all installations comply with local building regulations

Horizontal break is required at every storey or every 3.2m, whichever is the least. Vertical break is sometimes required to comply with building regulations or at Existing movement joints. See figures 18a & 18b.

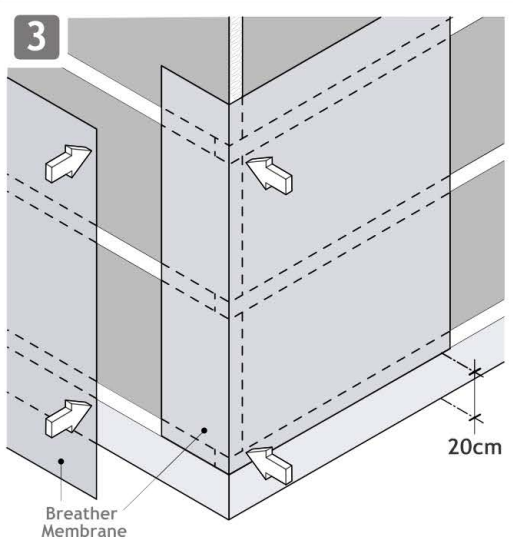
The guidance for provision of expansion and ventilation applies in all cases, including gable ends, dormers, bay windows etc.



Affix softwood counter battens to suit chosen insulation in accordance with the spacings specified. Secure with suitable screws.

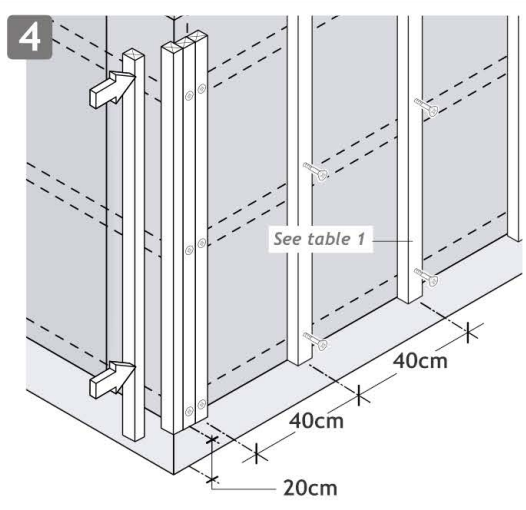


Place your thermal insulation between the counter battens with reference to insulation manufacturers instructions.



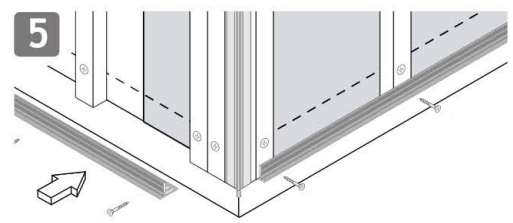
3

Affix breather membrane to cover entire surface to be clad. (Ensure membrane is lapped according to manufacturer's instructions)



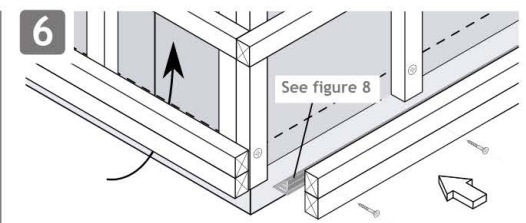
4

Fix cladding battens; Use double battens at corners, edges and junctions. Refer to Diagrams 7 & 8 before cutting battens to length.



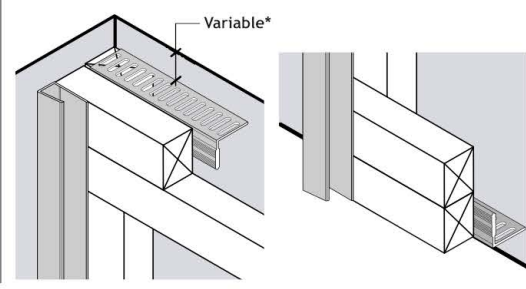
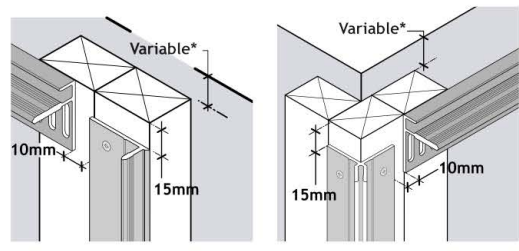
5

Fix ventilated starter trim. see Diagram 7.



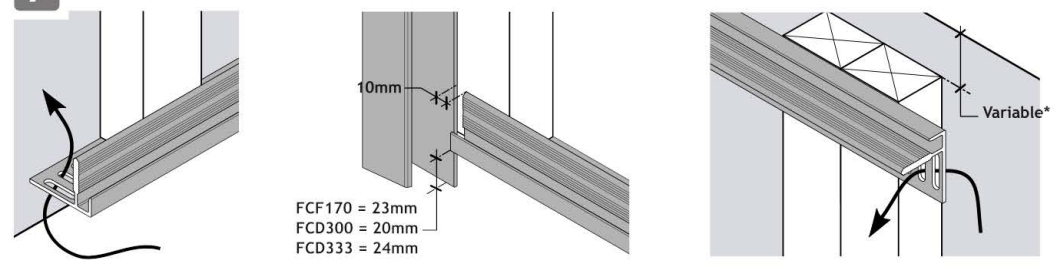
6

If fixing cladding vertically, fix horizontal battens over vertical counter battens.



Fix 1 part trims, first part of 2 part trims & vented starter trims. Refer to Diagrams 5, 6, 7 & 8.

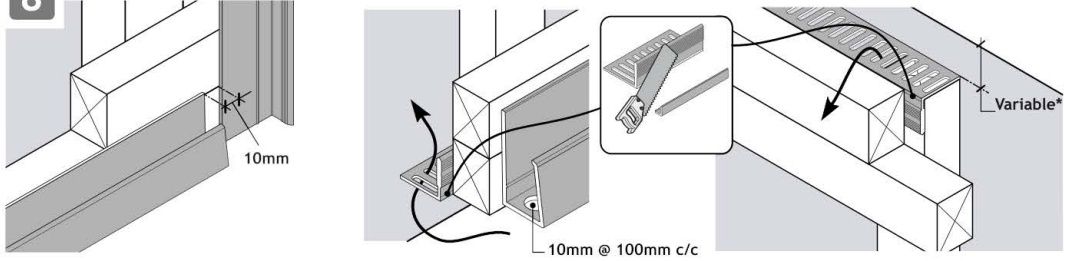
7 PVC Vented Starter/Closer



*Allow space for fixing cover trim if required. See figure 14

8

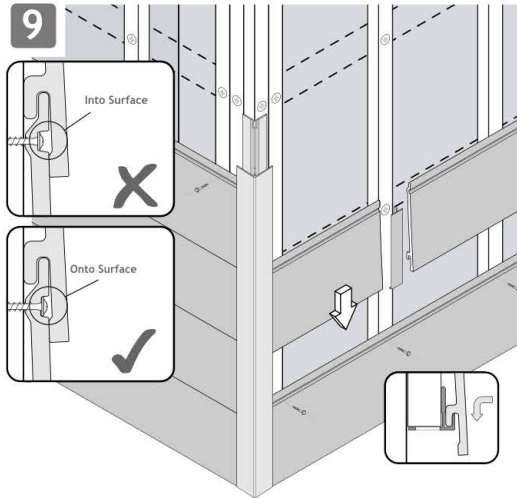
Vertical Cladding Details



*Allow space for fixing cover trim if required. See figure 14

Both multifunction & standard trims can be used for vertical and horizontal cladding

9

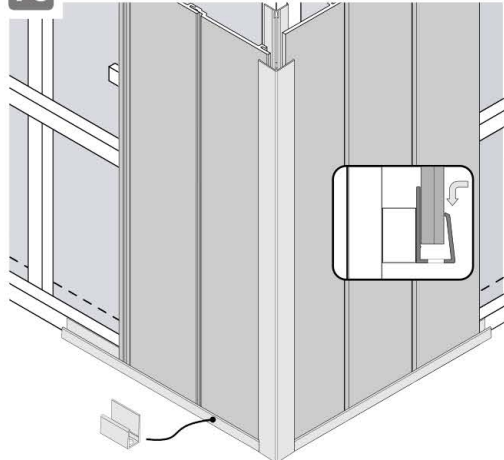


Slot the first row of cladding planks into the vented starter trim. (or starter trim) and Multifunction Trims. Allow expansion gaps at all edges and junctions. See Diagrams 11, 12, 13 & 14. Do not drive the screw or nail through the surface of the cladding as this will prevent the plank from moving if it expands.

Install the cladding planks from left to right and secure with 3.5 x 30mm corrosion resistant screws. Do not use force during the installation and screwing.

When all cladding is in place. Fix second parts of finishing trims. See figures 13 & 15

10

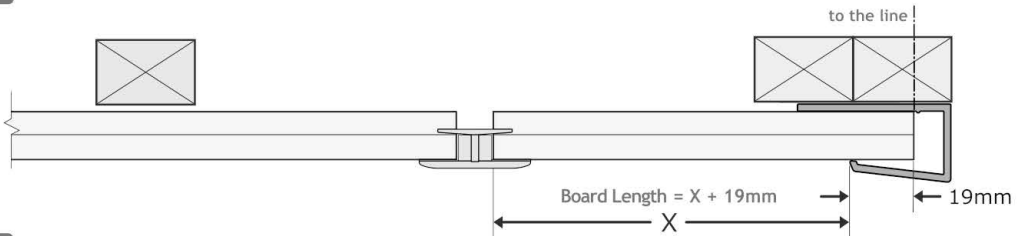


slot vertical planks into a J trim with 10mm drainage holes drilled at 100mm centres. Allow expansion gaps at all edges and junctions. See Diagrams 11, 12 & 13. Do not drive the screw or nail through the surface of the cladding as this will prevent the plank from moving if it expands.

Install vertical cladding planks from right to left and secure with 3.5 x 30mm corrosion resistant screws. Do not use force during the installation and screwing.

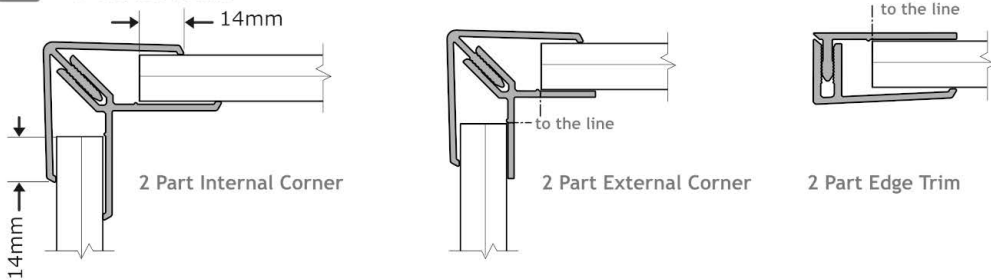
11

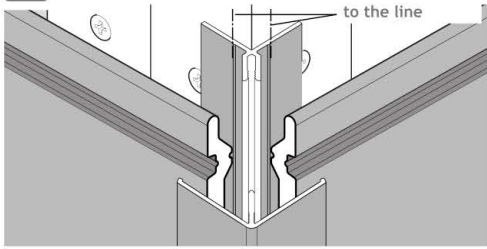
Expansion



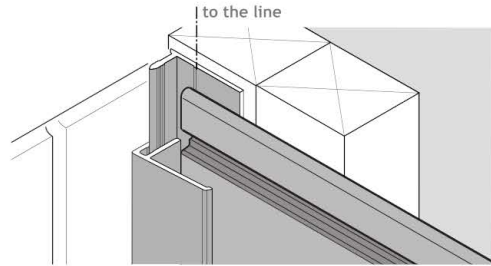
12

3 Series Trims

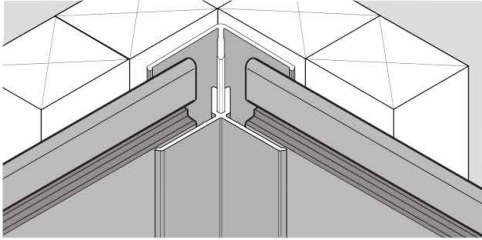


13**3 Series Trim Details**

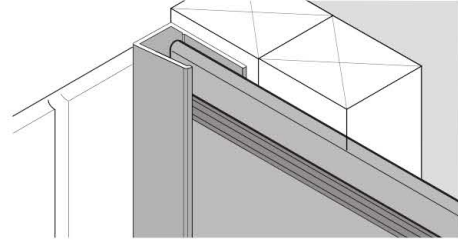
External Corner Trim



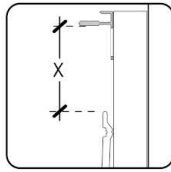
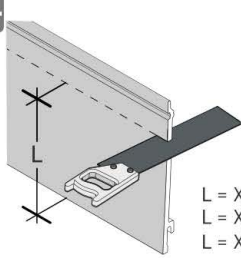
2 Part Edge Trim



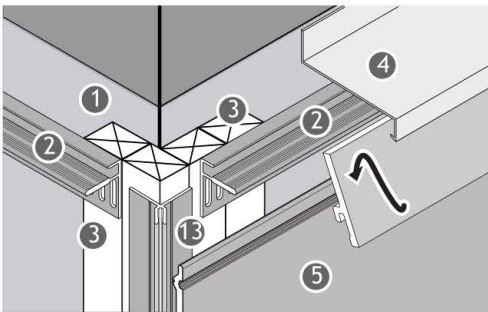
Internal Corner Trim



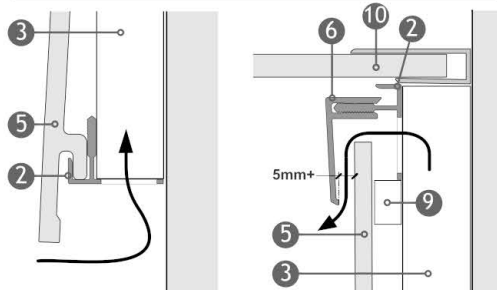
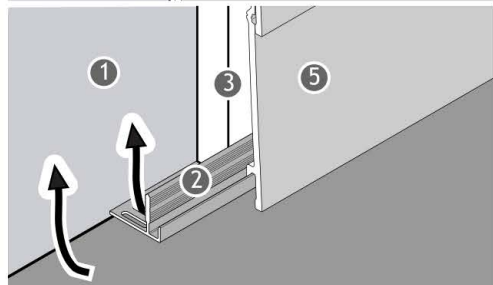
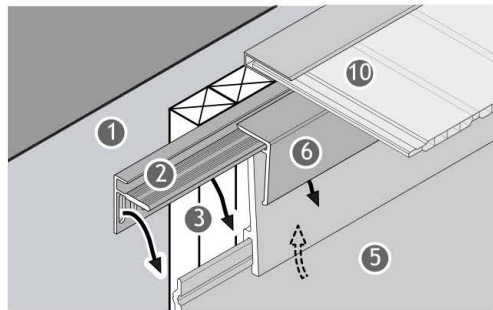
1 Part Edge Trim

14

$L = X + 19\text{mm}$ (FCF170)
 $L = X + 21\text{mm}$ (FCD300)
 $L = X + 23\text{mm}$ (FCD333)



Fix vented starter/closer trim. Refer to Diagrams 7 & 8. Cut your Faza cladding plank using the formula given.

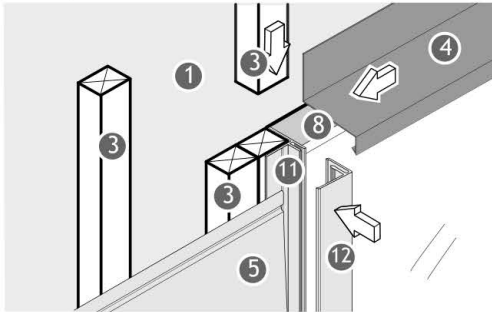
Ventilation detail

- 1 Breather Membrane
- 2 Ventilated Starter/Closer
- 3 Pre-treated softwood battens
- 4 Drip Trim
- 5 Cladding

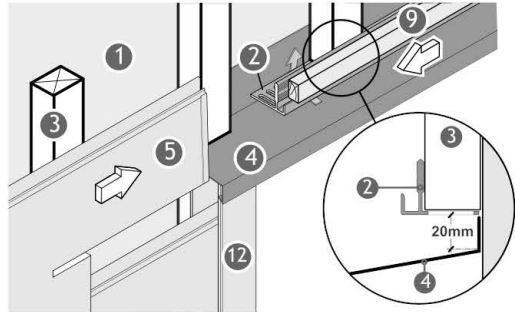
- 6 Ventilated Closer
- 7 Cill
- 8 GPB General Purpose Board
- 9 Timber Packing
- 10 Soffit

- 11 FC319 Reveal Liner - Part 1
- 12 FC319 Reveal Liner - Part 2
- 13 FC304 Ext Corner Trim - Part 1
- 14 FC302 Universal Edge Trim
- 15 FC318 Reveal Liner Edge Trim

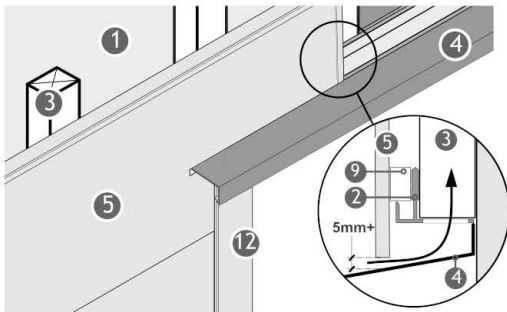
15a Window jamb with FC319 Reveal Liner 1/3



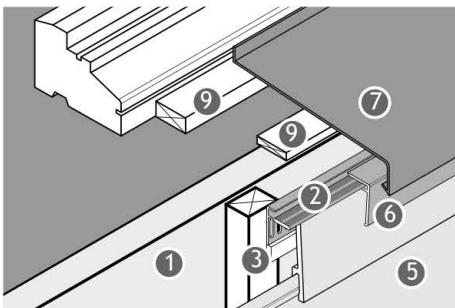
15b Window jamb with FC319 Reveal Liner 2/3



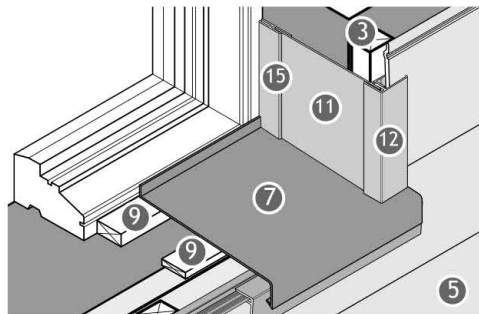
15c Window jamb with FC319 Reveal Liner 3/3



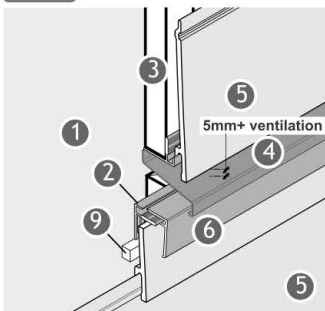
16 Window Cill detail



16a Window Cill & Jamb Junction



17a Horizontal break



17b Vertical break

